

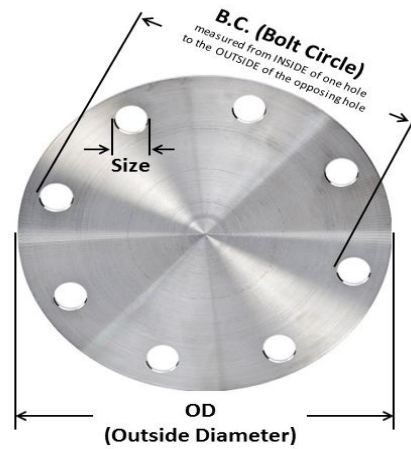
# What size is that?

(See other side for sizing instructions and flange notes)



18 E. Black Horse Pike  
Williamstown, NJ 08094  
(609) 561-9323

[www.pipingsuppliesinc.com](http://www.pipingsuppliesinc.com)



OD	Number	Size	B.C.	Flange
3.50	4	0.620	2.38	1/2" 150
3.75	4	0.625	2.62	1/2" 300
3.75	4	0.625	2.62	1/2" 600
3.88	4	0.620	2.75	3/4" 150
4.25	4	0.620	3.12	1" 150
4.62	4	0.620	3.50	1-1/4" 150
4.62	4	0.750	3.25	3/4" 300
4.62	4	0.750	3.25	3/4" 600
4.75	4	0.875	3.25	1/2" 900
4.75	4	0.875	3.25	1/2" 1500
4.88	4	0.750	3.50	1" 300
4.88	4	0.750	3.50	1" 600
5.00	4	0.620	3.88	1-1/2" 150
5.12	4	0.875	3.50	3/4" 900
5.12	4	0.875	3.50	3/4" 1500
5.25	4	0.750	3.88	1-1/4" 300
5.25	4	0.750	3.88	1-1/4" 600
5.25	4	0.875	3.50	1/2" 2500
5.50	4	0.875	3.75	3/4" 2500
5.88	4	1.000	4.00	1" 900
5.88	4	1.000	4.00	1" 1500
6.00	4	0.750	4.75	2" 150
6.12	4	0.875	4.50	1-1/2" 300
6.12	4	0.875	4.50	1-1/2" 600
6.25	4	1.000	4.38	1-1/4" 900
6.25	4	1.000	4.38	1-1/4" 1500
6.25	4	1.000	4.25	1" 2500
6.50	8	0.750	5.00	2" 300
6.50	8	0.750	5.00	2" 600
7.00	4	0.750	5.50	2-1/2" 150
7.00	4	1.125	4.88	1-1/2" 900
7.00	4	1.125	4.88	1-1/2" 1500
7.25	4	1.125	5.12	1-1/4" 2500
7.50	4	0.750	6.00	3" 150

OD	Number	Size	B.C.	Flange
7.50	8	0.875	5.88	2-1/2" 300
7.50	8	0.875	5.88	2-1/2" 600
8.00	4	1.250	5.75	1-1/2" 2500
8.25	8	0.875	6.62	3" 300
8.25	8	0.875	6.62	3" 600
8.50	8	0.750	7.00	3-1/2" 150
8.50	8	1.000	6.50	2" 900
8.50	8	1.000	6.50	2" 1500
9.00	8	0.750	7.50	4" 150
9.00	8	0.875	7.25	3-1/2" 300
9.00	8	1.000	7.25	3-1/2" 600
9.25	8	1.125	6.75	2" 2500
9.50	8	1.000	7.50	3" 900
9.62	8	1.125	7.50	2-1/2" 900
9.62	8	1.125	7.50	2-1/2" 1500
10.00	8	0.880	8.50	5" 150
10.00	8	0.875	7.88	4" 300
10.50	8	1.250	8.00	3" 1500
10.50	8	1.250	7.75	2-1/2" 2500
10.75	8	1.000	8.50	4" 600
11.00	8	0.880	9.50	6" 150
11.00	8	0.875	9.25	5" 300
11.50	8	1.250	9.25	4" 900
12.00	8	1.375	9.00	3" 2500
12.25	8	1.375	9.50	4" 1500
12.50	12	0.875	10.62	6" 300
13.00	8	1.125	10.50	5" 600
13.50	8	0.880	11.75	8" 150
13.75	8	1.375	11.00	5" 900
14.00	12	1.125	11.50	6" 600
14.00	8	1.625	12.75	4" 2500
14.75	8	1.625	11.50	5" 1500
15.00	12	1.000	13.00	8" 300
15.00	12	1.250	12.50	6" 900